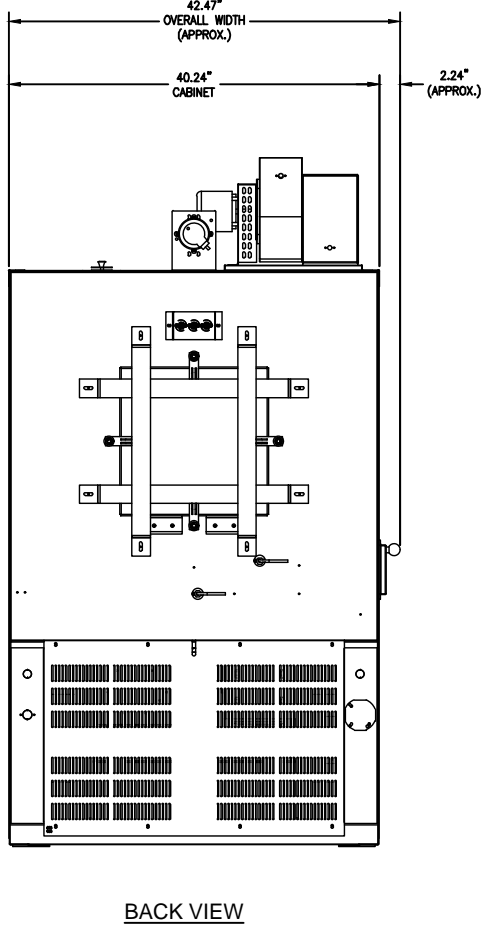
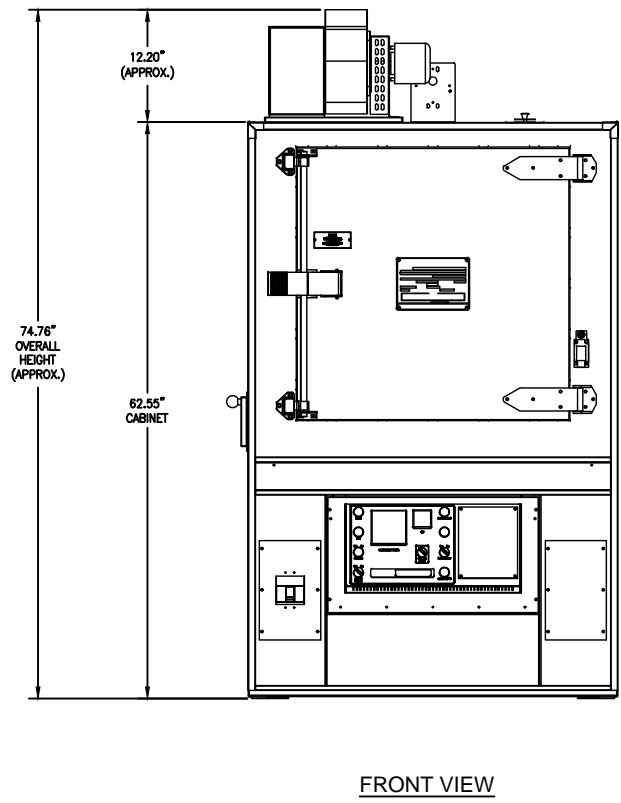
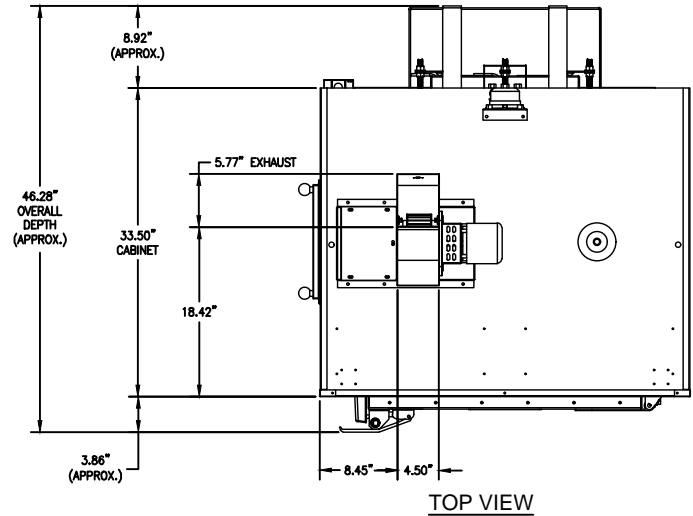


NOTE: DIMENSIONS ARE APPROXIMATE AND SUBJECT TO ENGINEERING AND PURCHASED OPTIONS.



TOLERANCE: +/- .25"		REV	DESCRIPTION	BY	DATE
NOTICE: THIS DRAWING IS THE PROPERTY OF THERMAL PRODUCT SOLUTIONS AND IS LOANED SUBJECT TO THE CONDITION THAT IT SHALL NOT BE REPRODUCED, COPIED, LOANED, OR SUBMITTED TO OUTSIDE PARTIES FOR EXAMINATION WITHOUT OUR CONSENT.				SCALE: 1/10=1 SHEET: 1 OF 1 DCSA-296	
APP	DATE	TITLE	SCALE	DATE	REV
		OVEN SKETCH	DCSA-296		