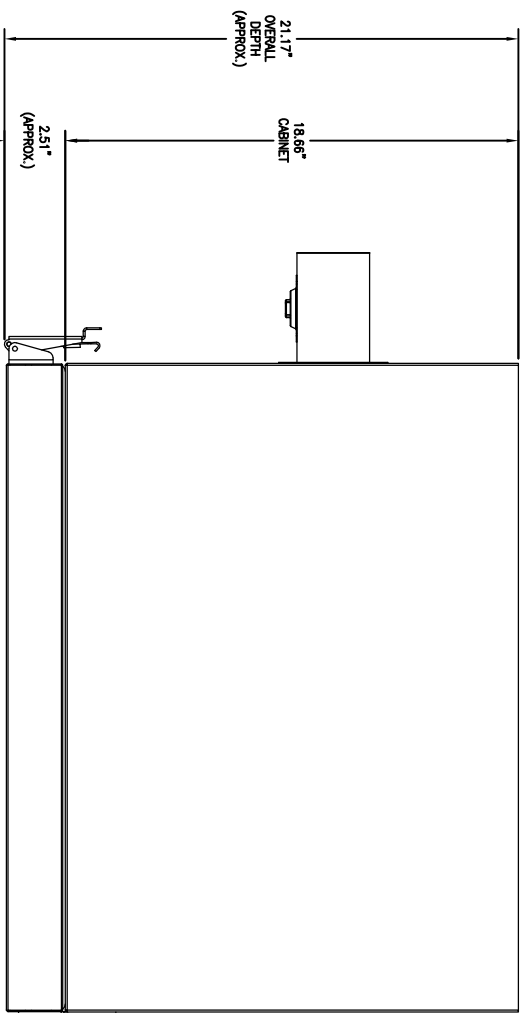
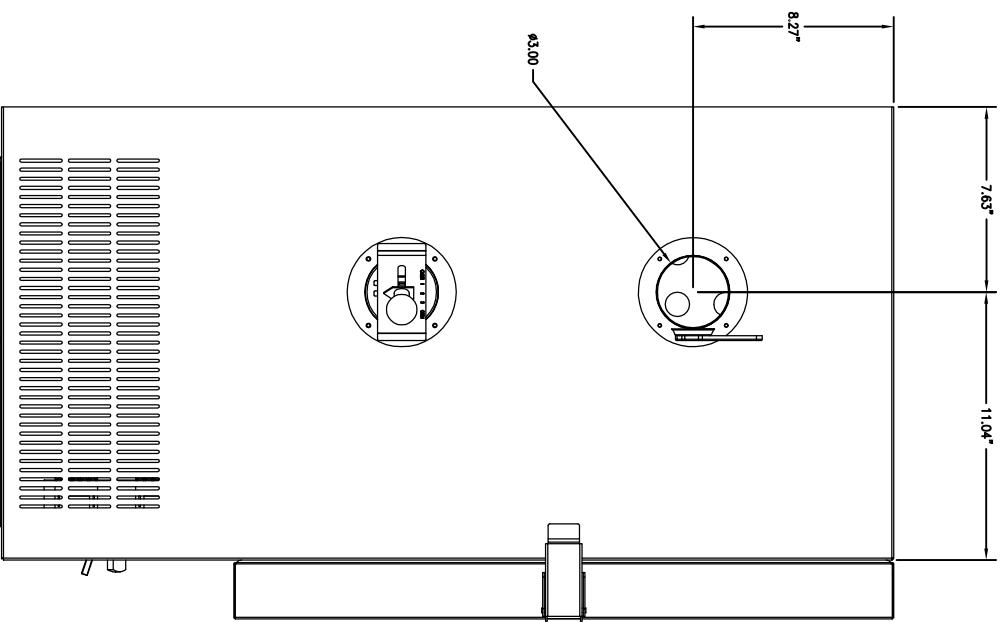


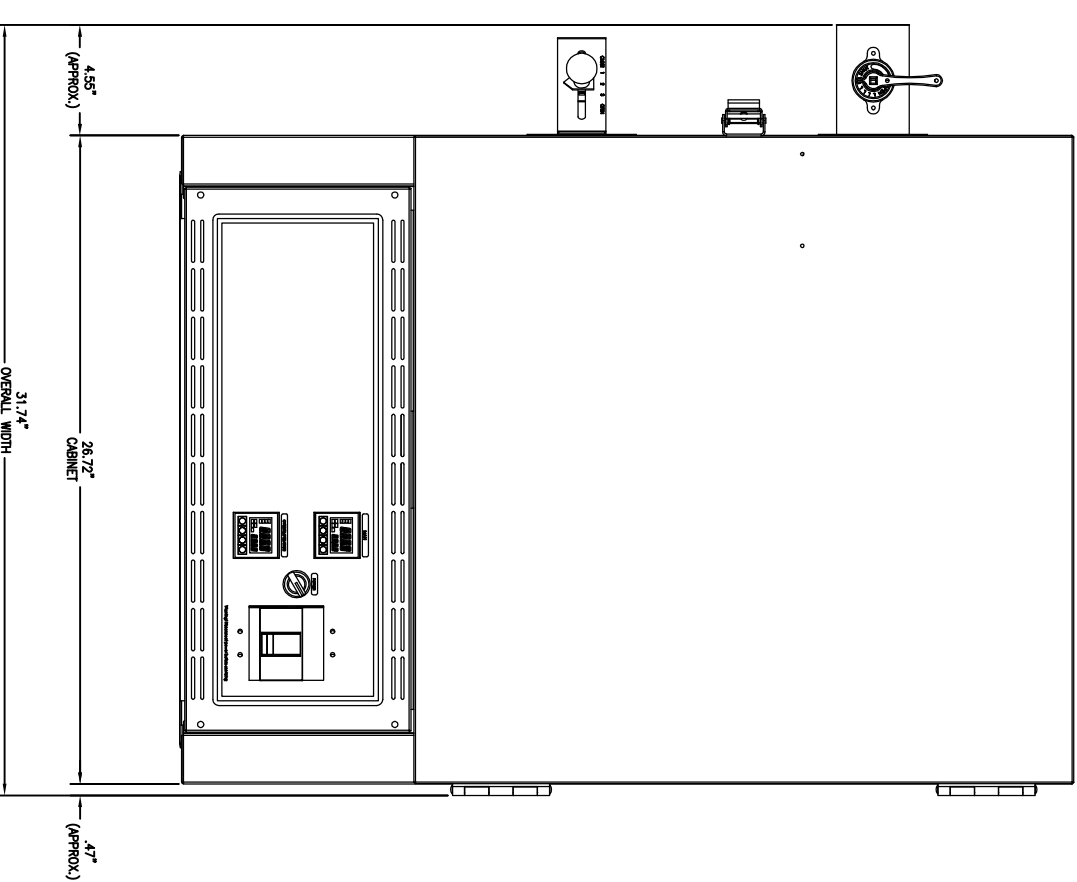
NOTE: DIMENSIONS ARE APPROXIMATE AND SUBJECT TO ENGINEERING AND PURCHASED OPTIONS.



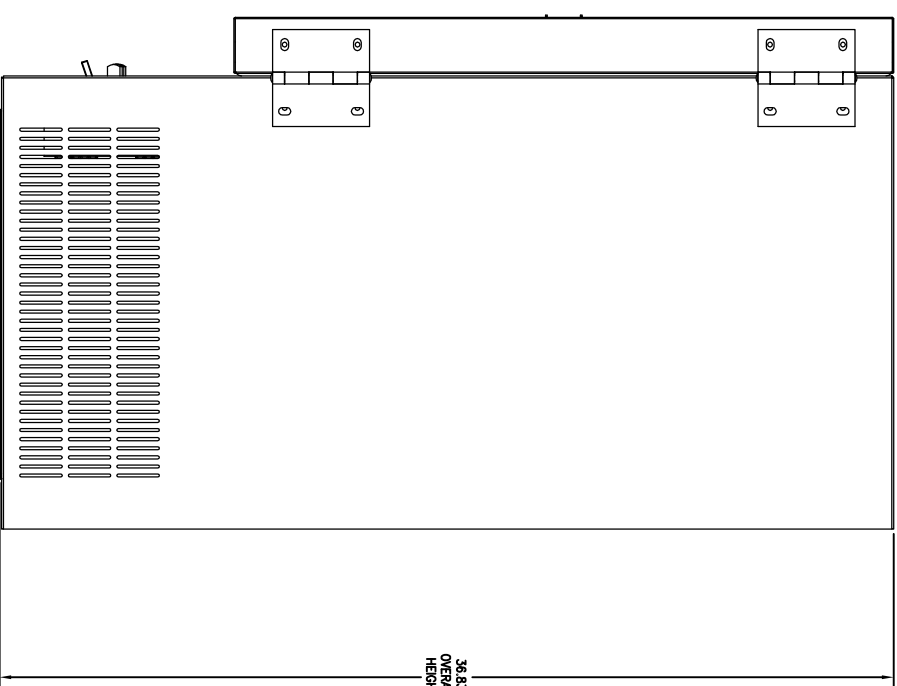
TOP VIEW



LEFT SIDE VIEW



FRONT VIEW



RIGHT SIDE VIEW

<p>NOTICE: THIS DRAWING IS THE PROPERTY OF TERESA'S PRODUCT SOLUTIONS AND IS LOANED TO THE CUSTOMER. IT IS TO BE USED ONLY FOR THE PROJECT SPECIFIED. IT IS NOT TO BE REPRODUCED, COPIED, LOANED, OR SUBMITTED FOR EXAMINATION WITHOUT OUR CONSENT.</p>		<p>DATE: 1/4/11</p>	
<p>SCALE: 1/4"=1'</p>		<p>DATE: 1/4/11</p>	
<p>PROJECT: ESP400</p>		<p>DATE: 1/4/11</p>	
<p>DESCRIPTION: OPEN SKETCH</p>		<p>DATE: 1/4/11</p>	
<p>REV: 1</p>		<p>DATE: 1/4/11</p>	
<p>BY: M. Linderberg</p>		<p>DATE: 1/4/11</p>	
<p>DATE: 1/4/11</p>		<p>DATE: 1/4/11</p>	



3818a to M
M. Linderberg
mlinderberg@TPS
TPS Technology